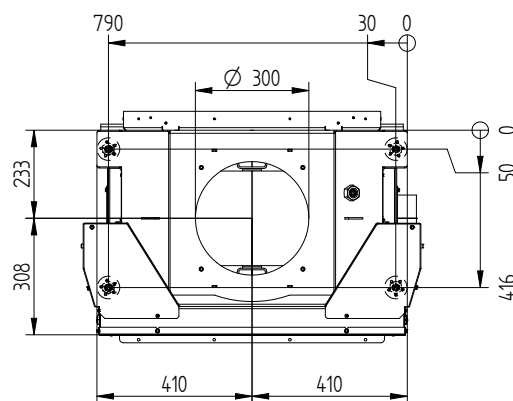
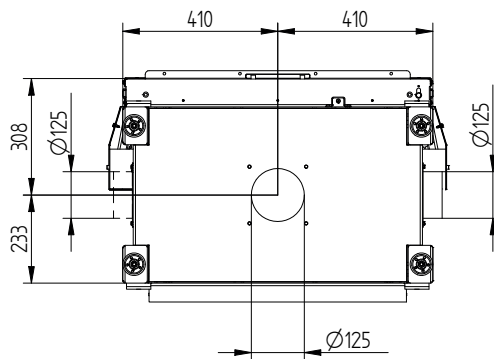
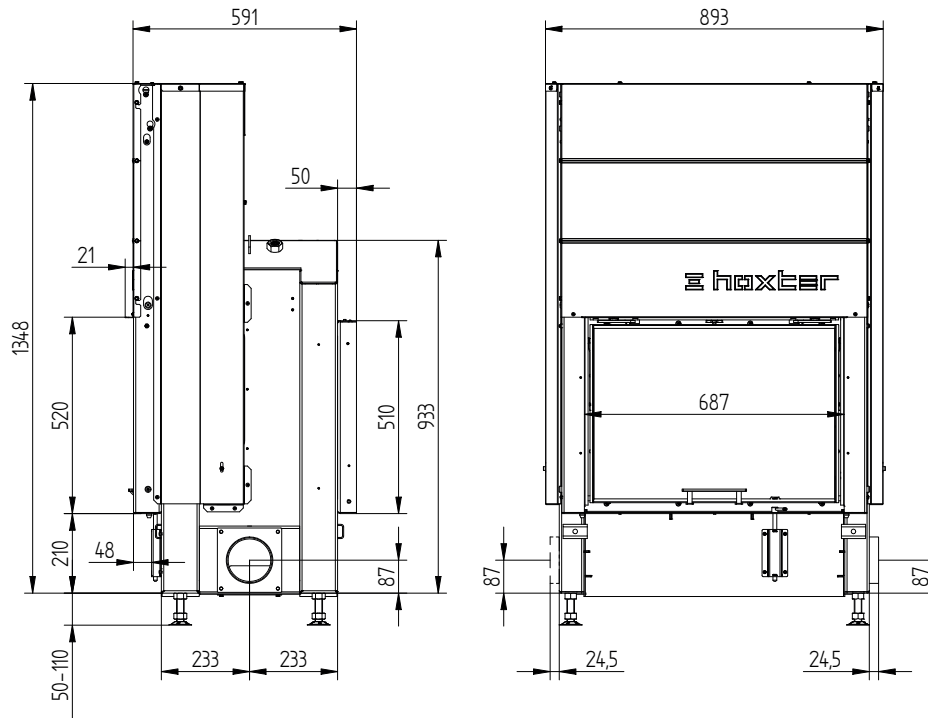


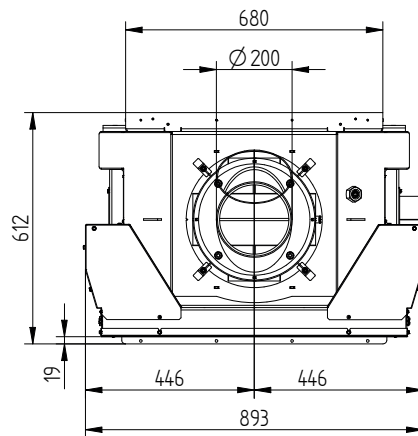
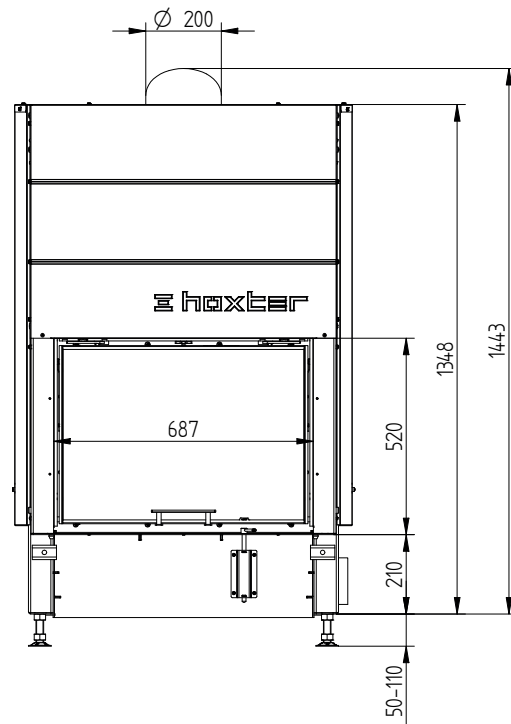
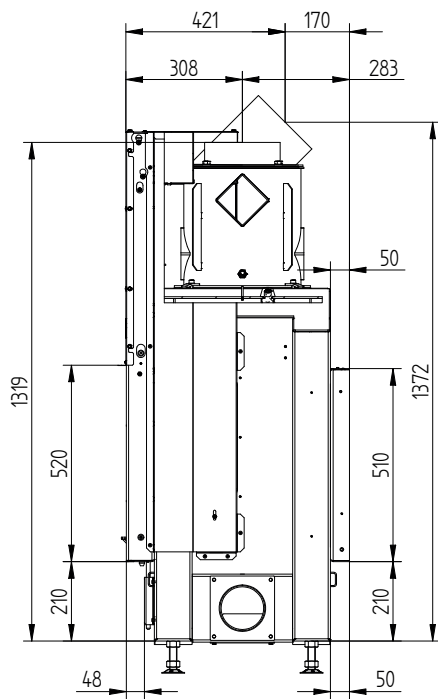
HAKA 67/51T

HAKA 67/51 tunnel air inlet / feet



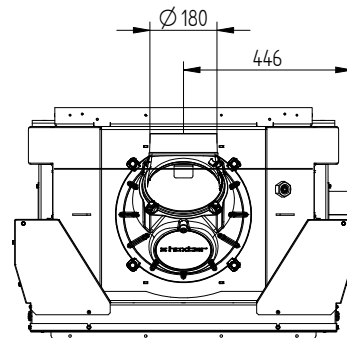
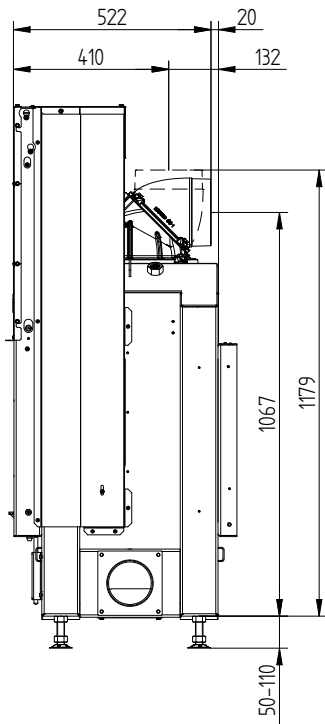
HAKA 67/51T

HAKA 67/51 tunnel hot air exchanger vertical

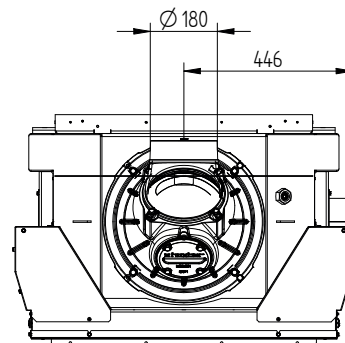
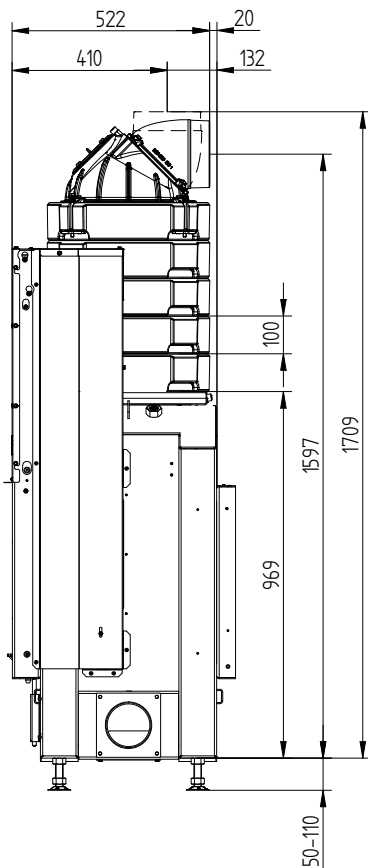


HAKA 67/51T

HAKA 67/51 tunnel cupola

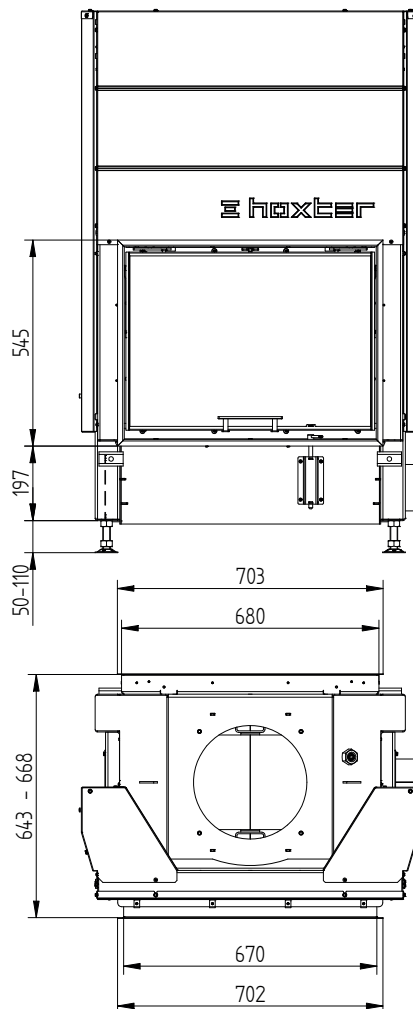
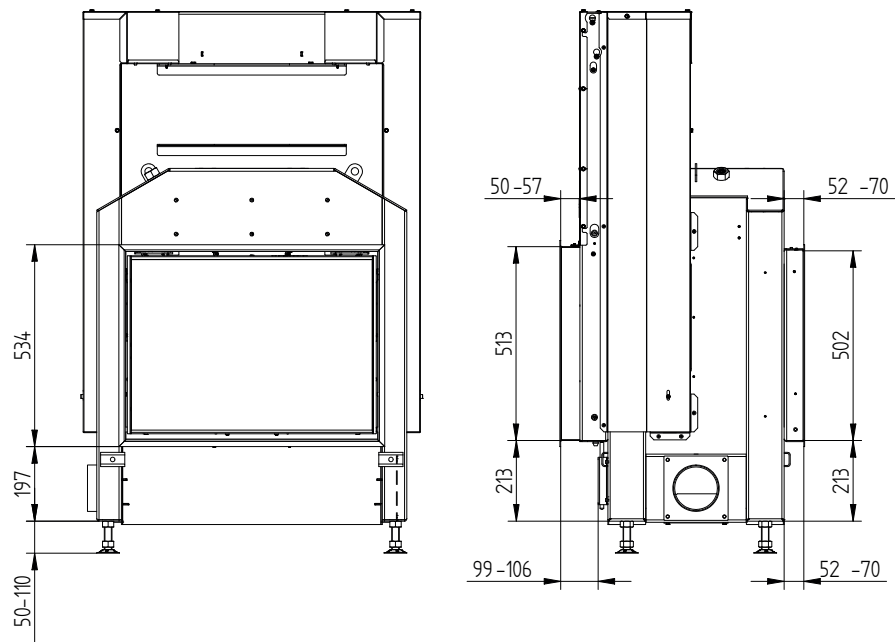


HAKA 67/51 tunnel accumulation set



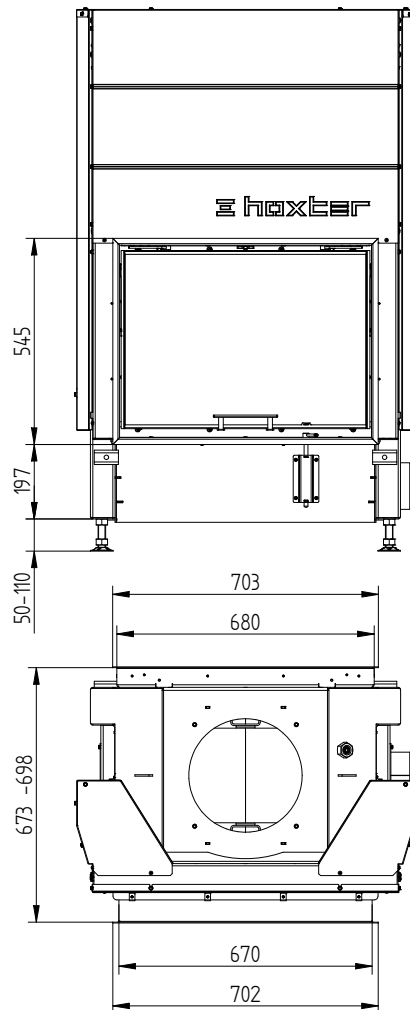
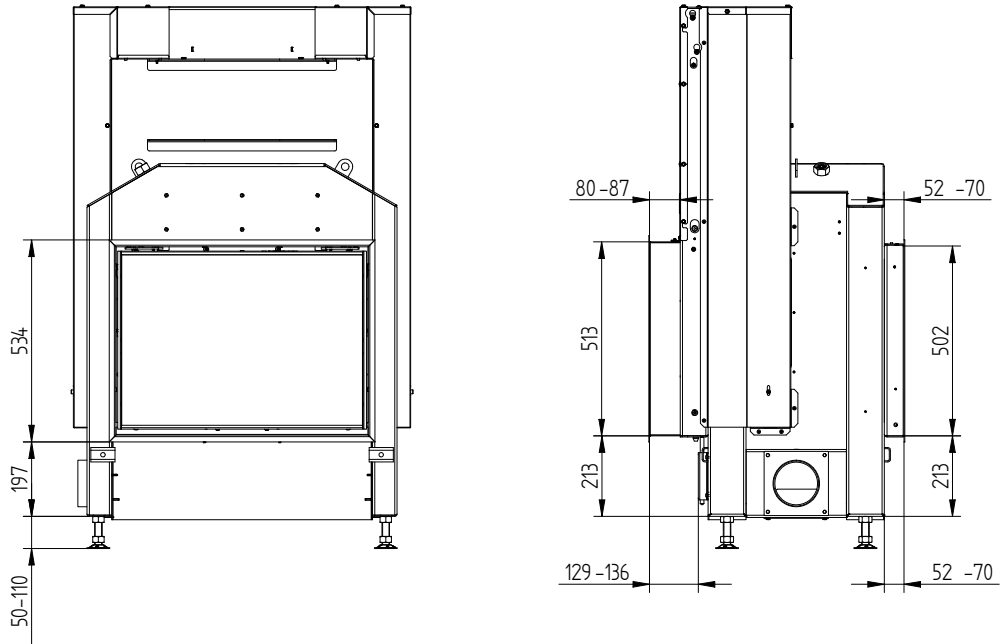
HAKA 67/51T

Cover frame 67/51 4sides 50 mm 1 x 90°



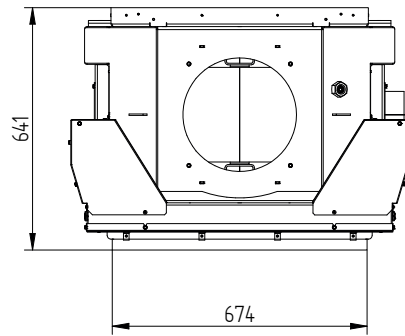
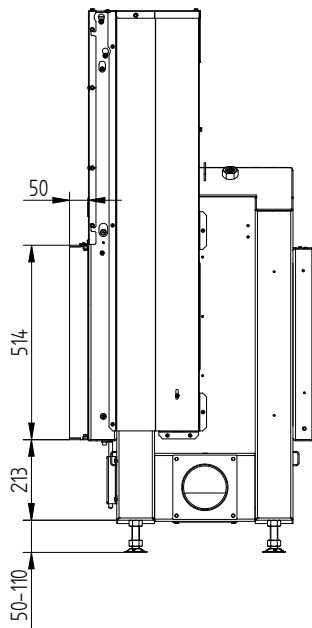
HAKA 67/51T

Cover frame 67/51 4sides 80 mm 1 x 90°

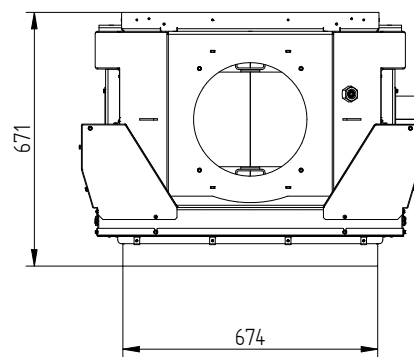
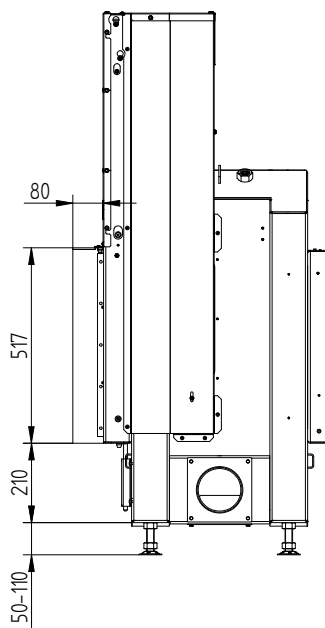


HAKA 67/51T

Build-on frame 67/51 4sides 50 mm



Build-on frame 67/51 3sides 80 mm



HAKA 67/51T

Build-on frame 67/51 4sides 80 mm

